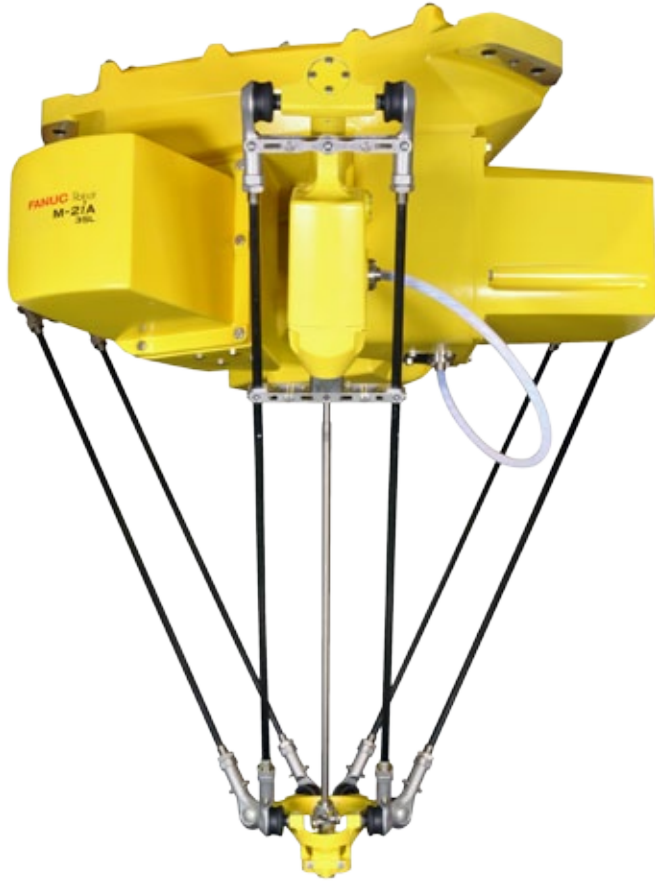


Genkotsu-Robot 2 High Speed Picking and Assembly Robot

FANUC Robot *M-2iA*



Features

- The FANUC M-2*iA* Robot is a high-speed picking and assembly robot with a 3kg payload.
- Two models are available to meet the needs of multiple space requirements.
 - FANUC Robot M-2*iA*/3S
Four-axis model with a single-axis wrist. This model is designed for picking from a conveyor at extremely high rates.
 - FANUC Robot M-2*iA*/3SL
Long-arm model covers a wider operating area.
- Able to withstand high-pressure steam cleaning - IP69K rating.
- Food adaptation option is available with a high-quality surface treatment and food-grade lubricant, making it ideal for handling food and beverage products.
- Ready to be equipped with the latest intelligent features including FANUC *i*RVision and force sensing.

Application system

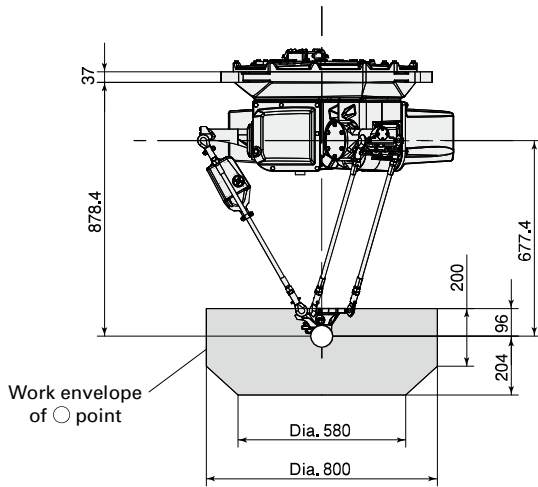
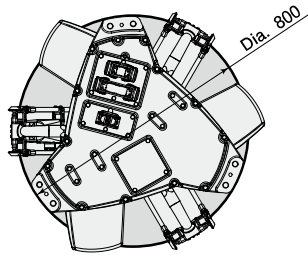


Food picking with four-axis M-2*iA*/3S

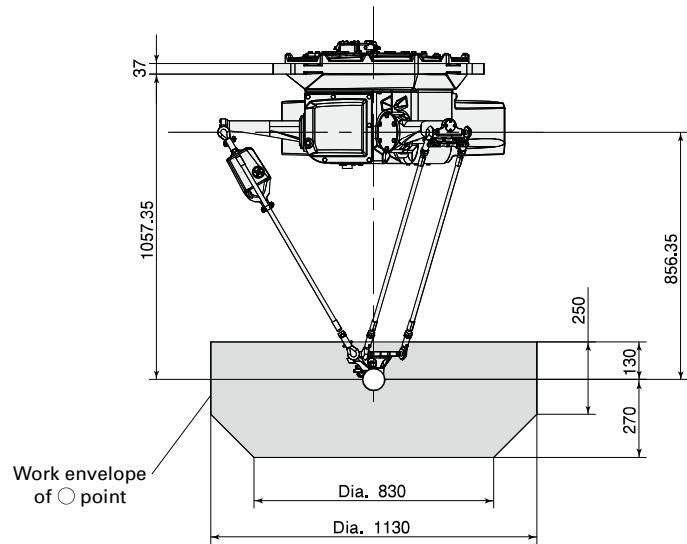
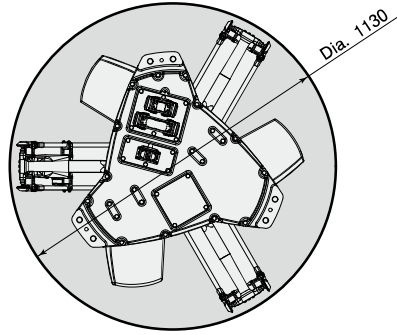


High speed sorting of metal plates with long-arm M-2*iA*/3SL

M-2*ia*/3S



M-2*ia*/3SL



Specifications

Item	Specifications	
	M-2 <i>ia</i> /3S	M-2 <i>ia</i> /3SL
Type	Parallel link mechanism	
Controlled axes	4 axes (J1, J2, J3, J4)	
Installation	Ceiling mount	
Motion range(Maximum speed) (Note 1)	J1-J3	Diameter 800mm, height 300mm
	J4	Diameter 1,130mm, height 400mm
Max.payload at wrist	3kg	
Repeatability	±0.1mm	
Drive method	Electric servo drive by AC servo motor	
Mass (Note2)	120 kg	120 kg
Installation environment	Ambient temperature : 0~45°C Ambient humidity Normally : 75%RH or less (No dew, nor frost allowed) Short term : Max. 95%RH or less (within one month) Vibration : 0.5G or less	

Note 1) In case of short distance motion, the axis speed doesn't reach maximum speed.

Note 2) Without controller.



FANUC ROBOTICS AMERICA CORPORATION
3900 WEST HAMLIN ROAD
ROCHESTER HILLS MI 48309-3253

